

# T.A.C. 500

## Multiple Residence Telephone Entry

### Description:

The T.A.C. 500 is a hands-free, multi-number, Telephone Entry System for resident / visitor control. Visitors contact the desired tenant by entering the proper code obtained from directory (see accessories). Once called, the resident can grant or deny entry.

The T.A.C. 500 has a capacity of up to 400 telephone numbers, resident codes, and personal access codes. It is US Postal lock compliant with built in front panel lighting. The T.A.C. 500 features a quick detachable Trigon Control Module and single key entry for superior serviceability.

### Features:

- ▲ Available in 24, 50, 25, 200, 300, or 400 resident capacities.
- ▲ Dials programmed phone numbers of up to 12 digits.
- ▲ Remotely programmable from any touch-tone telephone.
- ▲ Operates on 12v AC or DC.
- ▲ One output relay for entrance control or other security equipment.
- ▲ Alarm shunt relay.
- ▲ Vandal resistant Microphone block assembly.
- ▲ Heavy duty fiber speaker, Full Duplex Communication.
- ▲ L.E.D. Lighted Faceplate
- ▲ Postal Lock Ready

### Applications:

- ▲ Provides resident controlled guest access for multiple unit housing.
- ▲ Access control for commercial applications



### Operation:

The T.A.C. 500 uses an ordinary telephone line to provide positive access control for up to 400 residences. Visitors press the red "Start" button, then enter a short code obtained from a directory. The T.A.C. 500 will speed dial the resident's telephone number. The resident is alerted to the visitor in the same manner as receiving any other telephone call.

When the resident answers the entrance call, visitor access may be granted by pressing '0' on his telephone's keypad. This will activate the T.A.C. 500's relay and grant entry. Pressing '7' will immediately terminate the call. A resident at the gate may be granted access by pressing # on the T.A.C.500's keypad followed by entering his personal entry code number. The unit's internal relay will immediately respond and the gate will be opened.



PH: (951) 371-1730 • FAX (951) 371-2592 • 255 Glider Circle, Corona CA 92880

[www.TrigonElectronics.com](http://www.TrigonElectronics.com)

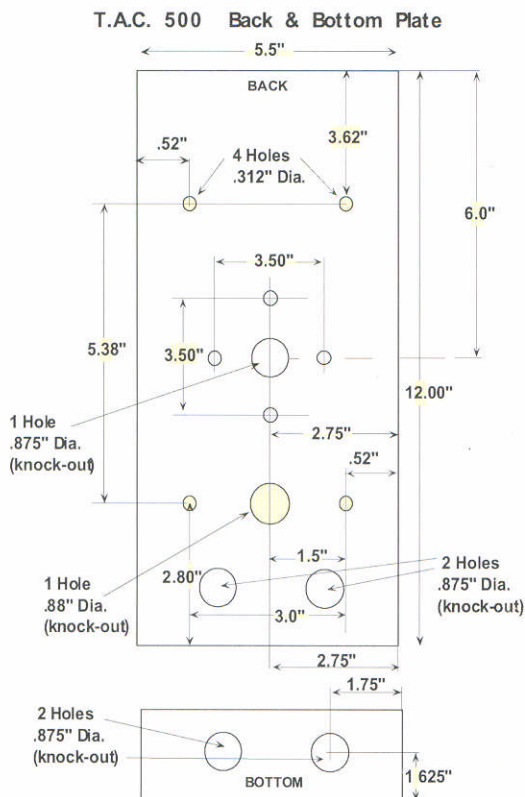
# T.A.C. 500

## Multiple Residence Telephone Entry

### Specifications:

- ▲ **Design** - Hands-free speaker telephone with internal autodial capability with remote control of relay. Capacity - 24, 50, 125, 200, 300, and 400 resident capacity.
- ▲ **Dial Mode** - Allows active keypad after dial out.
- ▲ **Site ID** - Programmable 4 digit code.
- ▲ **Programming** - Directly on unit's keypad, or remote via touch-tone telephone.
- ▲ **Power** - 110V/12VAC, 40VA, Class 2, transformer included.
- ▲ **Output Ratings** - Power Relay: 5 AMPS peak @ 12VDC or 1 AMP peak @ 110 VAC.
- ▲ **Alarm shunt:** 250 ma @12VAC.
- ▲ **Inputs** - Push-to-exit button or postal lock.
- ▲ **Telephone Line** - Standard touch-tone or rotary.
- ▲ **Mounting** - Surface.
- ▲ **Construction** - Powder coated steel case with stainless steel front.
- ▲ **Operating Temperature** - -5 F to + 120 F

### Mounting:



### Accessories / Options:

- ▲ **Line Filter** - Suppresses RFI/EMI from input power line.
- ▲ **Second Output Relay Option** - Allows control of additional security devices such as Cameras, Additional Doors, Lights, etc.
- ▲ **DECODER III**- Desktop device decodes and displays Site ID information.
- ▲ **Call MANAGER** - Call routing and switching system. Allows multiple T.A.C. 500 units to operate with few, or with no, outside lines.

Fiber Optic Compatible International Fiber Systems model #s;  
 TT2010, TR2010, TT2010WDM, TR2010WDM, TT 2030, TR 2030, TT 2030WDM, TR 2030WDM

### Dimensions / Hookup:

